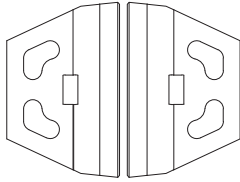




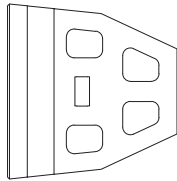
SKYSCRAPER

DESCRIPTION: Wall TEXTURE: Smooth

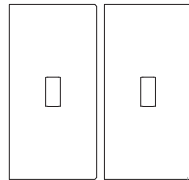
PALLET OVERVIEW - TOP UNIT



PALLET OVERVIEW - MIDDLE UNIT



PALLET OVERVIEW - CORNER UNIT



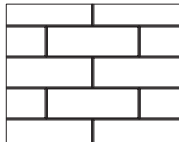
COMPATIBLE CAPS

See page 103 for product compatibility.

NOTES

See page 99 to 119 for more technical information.

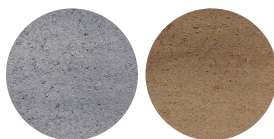
01 | Linear pattern



Patterns are for design inspiration only. The installer is responsible to calculate & purchase the correct amount of material. Visit our website for more patterns.

shale grey

chestnut brown



Specifications per pallet		Imperial	Metric
TOP UNIT	Cubing	12.00 ft ²	1.11 m ²
		12.00 lin ft	3.66 lin m
	Approx. Weight	2 100 lbs	953 kg
	Number of rows	2	
	Coverage per row	6.00 ft ²	0.56 m ²
	Linear coverage per row	6.00 lin ft	1.83 lin m

Unit dimensions		in	mm	Units /pallet
	Height	12	305	4
	Depth	23 1/4	590	
	Length 1	36	914	
	Length 2	20 3/16	513	

Specifications per pallet		Imperial	Metric
MIDDLE UNIT	Cubing	6.00 ft ²	0.56 m ²
		6.00 lin ft	1.83 lin m
	Approx. Weight	1 620 lbs	735 kg
	Number of rows	2	
	Coverage per row	3.00 ft ²	0.28 m ²
	Linear coverage per row	3.00 lin ft	0.91 lin m

Unit dimensions		in	mm	Units /pallet
	Height	12	305	2
	Depth	34 7/8	886	
	Length 1	36	914	
	Length 2	17 1/2	444	

Specifications per pallet		Imperial	Metric
CORNER UNIT	Cubing	4 units	4 units
	Approx. Weight	2 460 lbs	1 116 kg
	Number of rows	2	

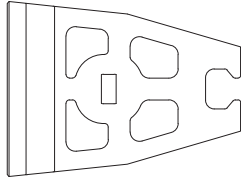
Unit dimensions		in	mm	Units /pallet
	Height	12	305	4
	Depth	18	457	
	Length	36	914	



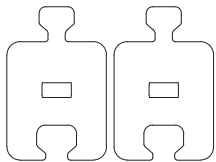
SKYSCRAPER

DESCRIPTION: Wall TEXTURE: Smooth

PALLET OVERVIEW - BASE UNIT



PALLET OVERVIEW - EXTENDER UNIT



Specifications per pallet		Imperial	Metric
BASE UNIT	Cubing	6.00 ft ²	0.56 m ²
		6.00 lin ft	1.83 lin m
	Approx. Weight	1880 lbs	853 kg
	Number of rows	2	
	Coverage per row	3.00 ft ²	0.28 m ²
	Linear coverage per row	3.00 lin ft	0.91 lin m

Unit dimensions		in	mm	Units/pallet
	Height	12	305	2
	Depth	48 ¹ / ₁₆	1220	
	Length 1	36	914	
	Length 2	17 ⁵ / ₁₆	440	

Specifications per pallet		Imperial	Metric
EXTENDER UNIT	Cubing	4 units	4 units
	Approx. Weight	1800 lbs	816 kg
	Number of rows	2	

Unit dimensions		in	mm	Units/pallet
	Height	12	305	4
	Depth	24 ³ / ₈	619	
	Length 2	20 ¹ / ₂	520	



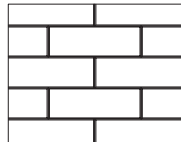
COMPATIBLE CAPS

See page 103 for product compatibility.

NOTES

See page 99 to 119 for more technical information.

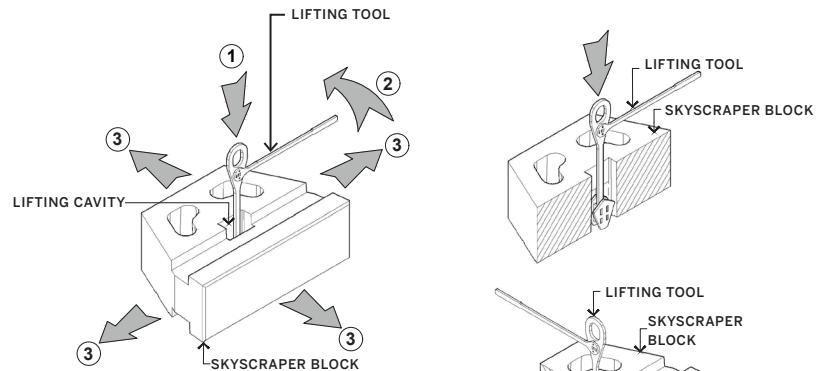
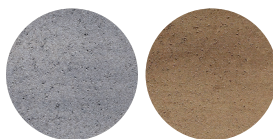
01 | Linear pattern



Patterns are for design inspiration only. The installer is responsible to calculate & purchase the correct amount of material. Visit our website for more patterns.

shale grey

chestnut brown

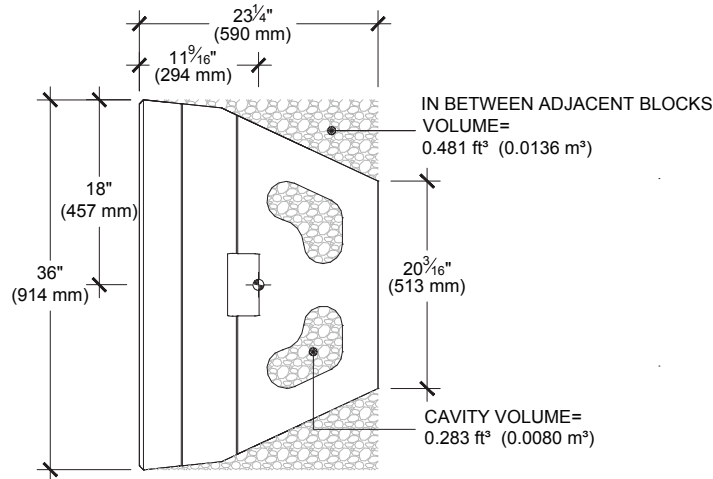


NOTE:

1. INSERT TECO-BLOC LIFTING TOOL INTO THE LIFTING CAVITY.
2. TURN THE LIFTING TOOL TO LOCK THE SYSTEM.
3. MOVE AND INSTALL BLOCK AS REQUIRED.
4. USE EQUIPMENT AND RIGGING CONFORMING TO LOCAL CODES AND CAPABLE OF LIFTING EACH UNIT WEIGHT.

INSTALLATION GUIDE

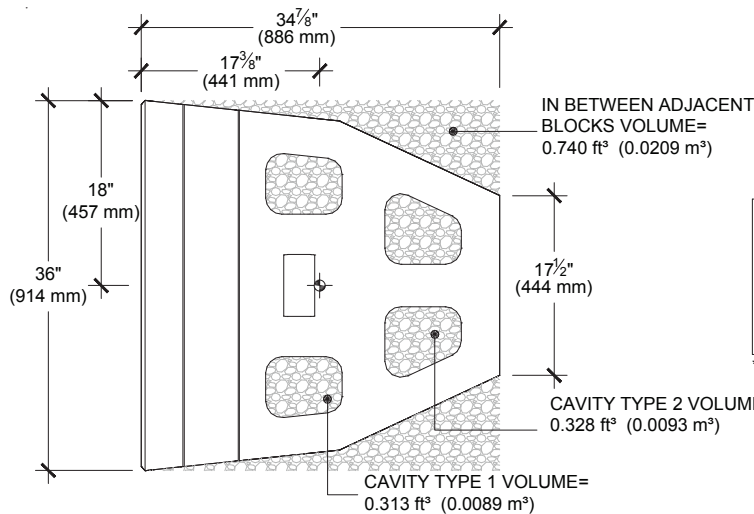
CAVITY INFILL - SKYSCRAPER



SKYSCRAPER TOP

AGGREGATE INFILL QUANTITY	PER UNIT	±1.53 ft ³	(±0.043 m ³)
		±147.91 lb	(±66.65 kg)
PER WALL AREA		±0.51 ft ³ /ft ²	(±0.16 m ³ /m ²)
		±49.37 lb/ft ²	(±248 kg/m ²)

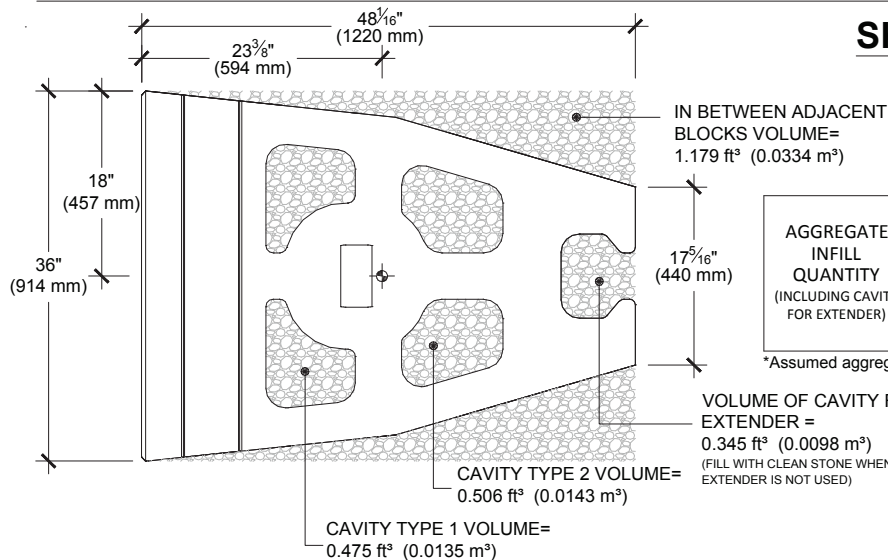
*Assumed aggregate unit weight of 96.8 lb/ft³ (1550 kg/m³)



SKYSCRAPER MIDDLE

AGGREGATE INFILL QUANTITY	PER UNIT	±2.76 ft ³	(±0.078 m ³)
		±267.17 lb	(±120.9 kg)
PER WALL AREA		±0.92 ft ³ /ft ²	(±0.28 m ³ /m ²)
		±89.06 lb/ft ²	(±434 kg/m ²)

*Assumed aggregate unit weight of 96.8 lb/ft³ (1550 kg/m³)



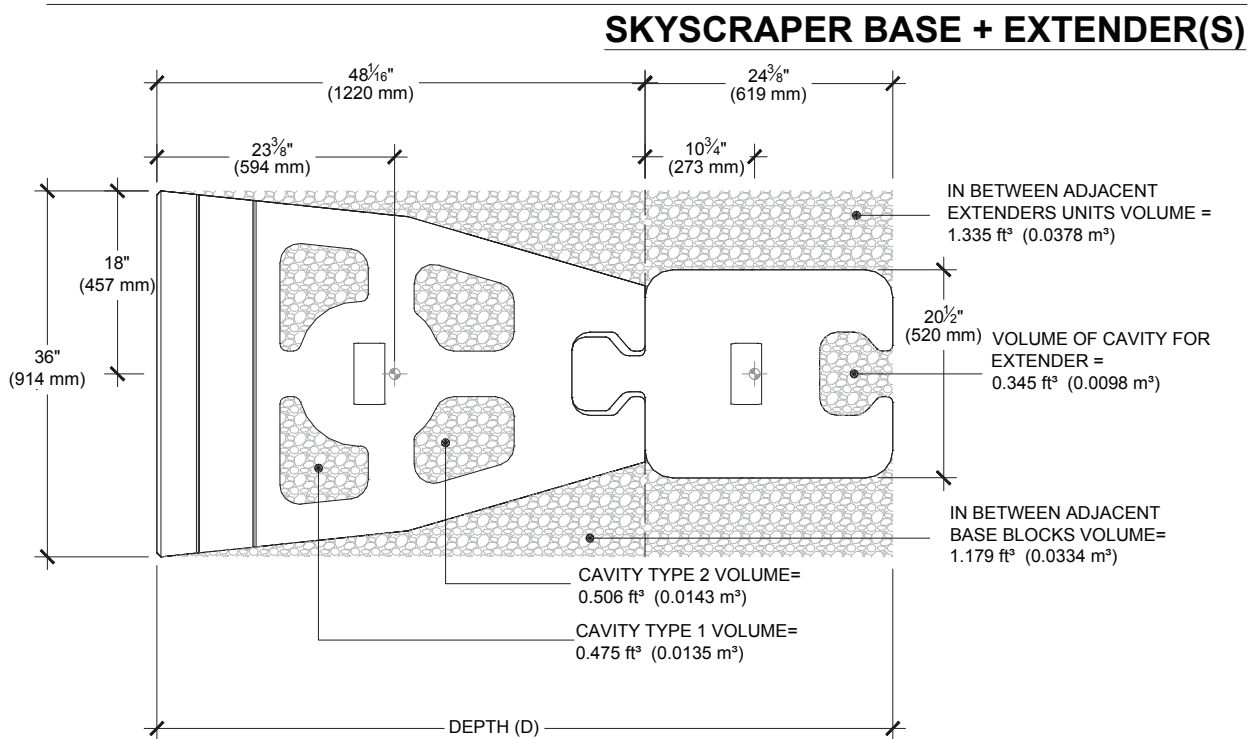
SKYSCRAPER BASE

AGGREGATE INFILL QUANTITY (INCLUDING CAVITY FOR EXTENDER)	PER UNIT	±4.67 ft ³	(±0.132 m ³)
		±452.06 lb	(±204.6 kg)
PER WALL AREA		±1.56 ft ³ /ft ²	(±0.47 m ³ /m ²)
		±151.01 lb/ft ²	(±728.5 kg/m ²)

*Assumed aggregate unit weight of 96.8 lb/ft³ (1550 kg/m³)

INSTALLATION GUIDE

CAVITY INFILL - SKYSCRAPER



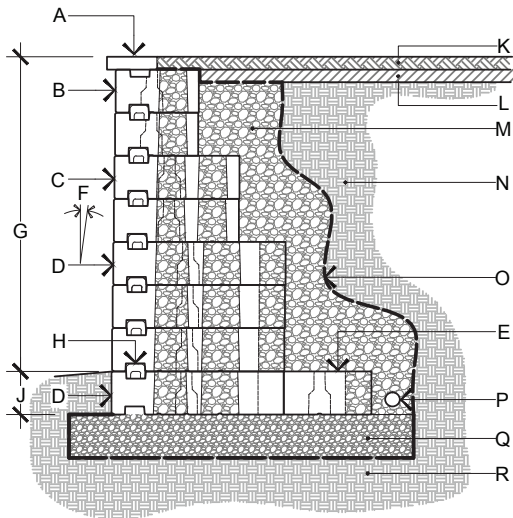
WALLS & PILARS

Aggregate Infill Quantity (INCLUDING CAVITY FOR EXTENDER)										
# OF EXTENDERS	DEPTH (D)		PER UNIT				PER WALL AREA			
	1	72 3/8 "	1839 mm	±7.35 ft ³	(±0.208 m ³)	±711 lb	(±322 kg)	±2.45 ft ³ /ft ²	(± 0.75 m ³ /m ²)	±237 lb/ft ²
2	96 3/4 "	2458 mm	±10.02 ft ³	(±0.283 m ³)	±970 lb	(±439 kg)	±3.34 ft ³ /ft ²	(± 1.02 m ³ /m ²)	±323 lb/ft ²	(±1581 kg/m ²)
3	121 1/8 "	3077 mm	±12.69 ft ³	(±0.359 m ³)	±1228 lb	(±556 kg)	±4.23 ft ³ /ft ²	(± 1.29 m ³ /m ²)	±409 lb/ft ²	(±2000 kg/m ²)
4	145 1/2 "	3696 mm	±15.36 ft ³	(±0.435 m ³)	±1487 lb	(±674 kg)	±5.12 ft ³ /ft ²	(± 1.56 m ³ /m ²)	±496 lb/ft ²	(±2418 kg/m ²)
5	169 7/8 "	4315 mm	±18.03 ft ³	(±0.510 m ³)	±1745 lb	(±791 kg)	±6.01 ft ³ /ft ²	(± 1.83 m ³ /m ²)	±582 lb/ft ²	(±2837 kg/m ²)
6	194 1/4 "	4934 mm	±20.70 ft ³	(±0.586 m ³)	±2004 lb	(±908 kg)	±6.9 ft ³ /ft ²	(± 2.1 m ³ /m ²)	±668 lb/ft ²	(±3255 kg/m ²)

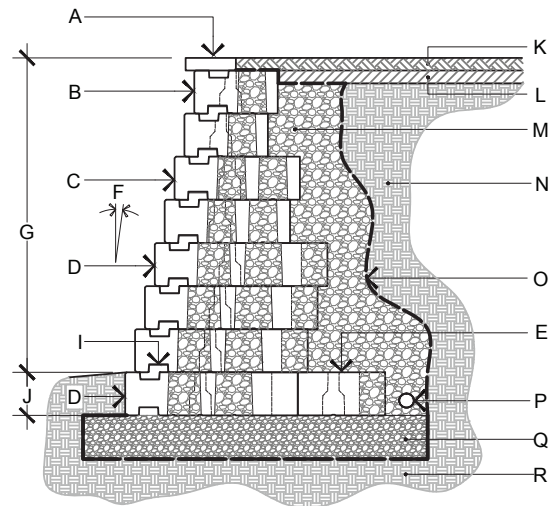
*Assumed aggregate unit weight of 96.8 lb/ft³ (1550 kg/m³)

INSTALLATION GUIDE

GRAVITY WALLS - SKYSCRAPER



GRAVITY NEAR VERTICAL WALL DETAIL



GRAVITY INCLINED WALL DETAIL

- A. CAP FROM TECHO-BLOC
- B. SKYSCRAPER TOP UNIT FROM TECHO-BLOC
- C. SKYSCRAPER MIDDLE UNIT FROM TECHO-BLOC
- D. SKYSCRAPER BASE UNIT FROM TECHO-BLOC
- E. SKYSCRAPER EXTENDER UNIT FROM TECHO-BLOC
- F. WALL INCLINATION:
 - 0.8° (NEAR VERTICAL)
 - 12.7° (INCLINED)
- G. EXPOSED HEIGHT
- H. PRECAST CONCRETE "U" CONNECTOR

- I. PRECAST CONCRETE "Z" CONNECTOR
- J. EMBEDMENT DEPTH
- K. TOP SOIL
- L. LOW PERMEABILITY SOIL
- M. 3/4" (20 mm) CLEAN STONE, 12" (300 mm) THICK MIN
- N. RETAINED SOIL
- O. GEOTEXTILE
- P. PERFORATED DRAIN
- Q. LEVELING PAD
- R. FOUNDATION SOIL